

Position	Amount	Type number	Description	PG
100	1	1381099322	SLIDE PLUG, COVER SECTION	13
101	1	6330100050	TAPPED BUSHING M 8 KERB-KONUS	15
102	1	1383099370	COVER EXTRUSION 200 MM	30
103	1	1482100704	END PLATE, COVER EXTRUSION BL 1,50X19X17	14
104	1	6172015687	CROSS REC'D PAN HEAD TAP.SCREW	10
105	2	6172028215	Fillister head screw	10
106	1	141150110	Washer	10
107	1	7051099359	TORSION SPRING RDI 4,5 CHROMATIERT	10
108	1	1385099971	KEY PIN RD 4X48 CHROMATIERT	12
109	1	7055043684	FLEXIBLE PRESSURE PIECE	19
110	1	1381099349	COVER CLASP, FENCE ASSEMBLY	13
111	1	1380099205	LID	47
112	1	1381099330	CLAMPING PIECE, COVER SECTION	13
113	2	7001005922	STARKNOB SCREW RD40/M8X33 (DIN 933) VERZ	13
114	1	141131010	Hexagonal nut	10
115	1	7001114667	STARKNOB SCREW M 8X48 (DIN 933) VERZINKT	13
116	1	6103001178	Hex head screw	10
117	2	141151340	Washer	10
118	1	7151099879	FRICITION BEARING B RD 30X34X42X2X10 B	12
119	1	1485111286	GUIDE SHAFT, QUICK ADJUSTER RD 30X200	30
120	1	1385099963	KEY PIN RD 4X94 CHROMATIERT	13
121	1	6143124744	HEX. HEAD THREAD ROLLING SCREW	10
122	3	141131010	Hexagonal nut	10
123	1	6241133255	KNURLED THUMB NUT RD 62,5 M 8	17
124	2	6306099548	SHIM RING 12X18X1 VERZ.	10
125	1	1381100029	SCALE, QUICK ADJUSTER 20X99,5	16
126	1	1485111294	GUIDE SHAFT, FINE ADJUSTER RD 30X194	30
127	1	1381099390	LOCKING RING, SPINDLE LATCH	15
128	1	141116840	Self-tap. fill. h. screw	10
129	1	1385099890	LOCK BOLT RD 16X100 / M16X1	26
130	2	6721099600	FEATHER KEY A 4X4X12	10
131	2	141180060	RETAINING RING	10
132	1	1381099400	SETTING KNOB, SPINDLE LATCH KPL.MIT SKA	21
133	1	1142100165	ADHESIVE LABEL 0,65XRD30,7 OHNE AUFDRUCK	15
134	2	7055099906	FLEXIBLE PRESSURE PIECE M 6X14 K	16
136	2	7001005922	STARKNOB SCREW RD40/M8X33 (DIN 933) VERZ	13
137	1	1385099947	PINION SHAFT RD 15X98 M=1,5 Z=8	33
138	1	1014015260	CARRIER, GUIDE SHAFT	26
139	1	141113040	Fillister head screw	10
140	1	1382100006	VERNIER CARRIER BL 1,5X28X97	14
141	1	6304084020	Serrated lock washer	10

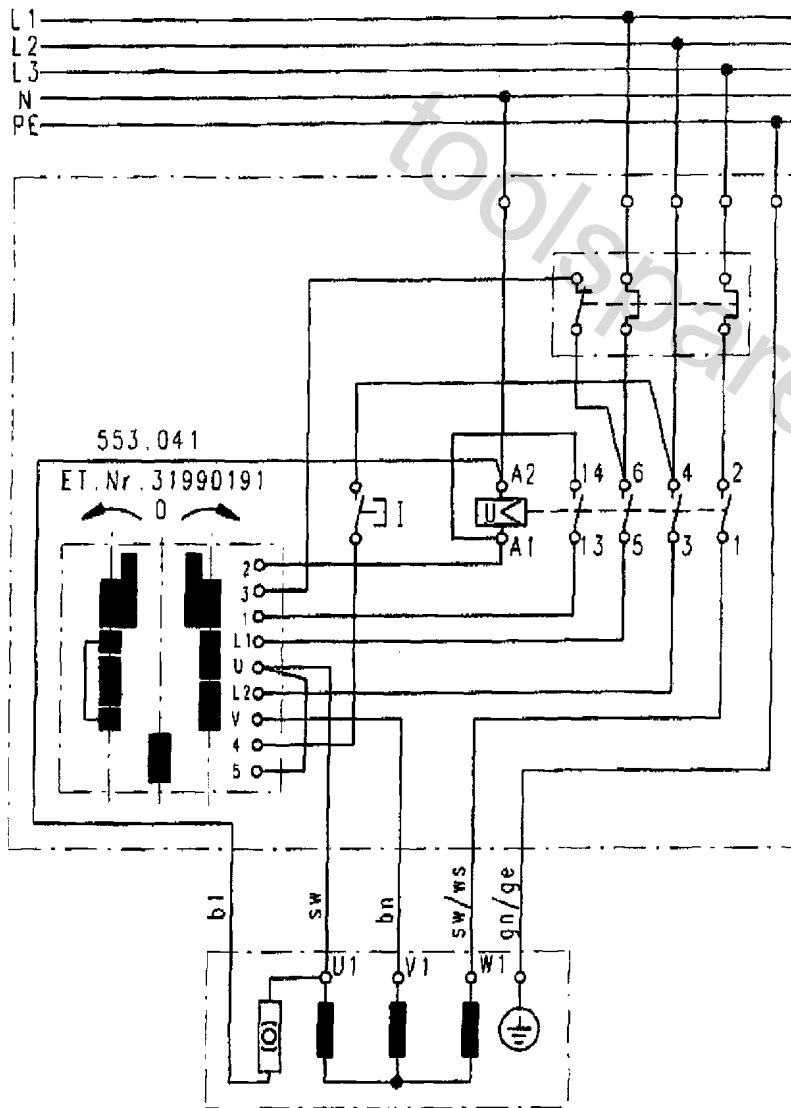
142	2	141130070	Hexagonal nut	10
143	1	1141100110	ADHESIVE LABEL WHITE/RED 20X14 NONIUS-SC	12
144	1	6552099883	PRESS-FIT BOLT, THREADED M 8X35 PEM	13
145	1	1485111391	SHAFT, TOOTHED RACK RD 30X200	36
146	1	7001115310	STARKNOB SCREW M 8X28 (DIN 933) VERZINKT	14
147	1	1381099381	PRESSURE SPRING, HANDGUARD	29
148	1	1482100453	FENCE END PLATE BL 1,50X19X124	13
149	1	1393100369	FENCE EXTRUSION 370 MM	30
150	1	1380099183	CARRIER, FENCE EXTRUSION	36
151	1	6132002060	HEX.SOCKET COUNTERS.HEAD SCREW	10
152	1	1492024500	SLIDE WASHER FL 16X5X60,9	14
153	1	1380099167	HOUSING, FENCE	57
154	1	7000017730	STARKNOB NUT	12
200	1	1382099733	FRONT PANEL BL 2,50X470X638	37
202	2	141130130	Hexagonal nut	12
204	1	1382114333	FOOT PANEL BL 2,50X46X49	13
205	1	6621074502	BLIND RIVET, MUSHROOM HEAD 6,4X12 FLACHR	10
206	1	7057111385	ADJUSTING FOOT RD 50 / M 10X35 SCHWARZ	21
207	2	1382099687	SIDE-PANEL BL 2,5X470X523	39
300	1	1380613626	CONICAL GEAR WHEEL	16
302	1	1380400088	SWIVEL GUIDE BEARBEITET	57
303	1	6141099432	EYE BOLT M 12X65 GEWINDELÄNGE 45 MM	22
304	1	6500099443	PARALLEL PIN 12 m6X45	13
305	1	1482100461	CARRIER, MOTOR FL 15X5X40	12
306	1	6103015675	Hex head screw	10
307	1	6205055744	HEXAGON THIN NUT M 12 VERZ. FORM B	10
308	1	6103001127	Hex head screw	10
309	1	7100083463	DEEP GROOVE BALL BEARING	18
310	1	1385099564	SHAFT RD 16X275	32
311	1	1014015236	GUIDE TUBE	34
312	1	6172047473	CROSS REC'D PAN HEAD TAP.SCREW ST 4,2X9,	10
314	1	1482100674	POINTER, HEIGHT ADJUSTMENT BL 1,50X15X12	21
315	1	7151099260	FRICITION BEARING RD 16X30X10 A	14
316	1	141180370	Retaining ring	10
317	1	1381099284	SCALE DISC, HEIGHT ADJUSTMENT RD 134X41	24
318	1	7003114680	HANDWHEEL RD 125X12 NUT 4 GRIFFAUFNAHME	34
319	1	1485111332	THREADED ROD RD 10X301,5 M8 KLEMMVORRICH	23
320	1	6503001681	Tightening pin	10
321	1	7007069620	PALM GRIP D=50 / BUCHSE 10 FORM C	20
322	2	6305002508	WASHER B 13 VERZ.	10
323	1	1482404118	POINTER, SPINDLE TILT BL 1,50X65,5X152	19
324	1	7151099224	FRICITION BEARING S RD 12 G7 S	15

325	1	6300099643	COARSE WASHER A 20 VERZ.	10
326	1	141130100	Hexagonal nut	10
327	1	1383099923	CLAMPING PIPE RD 26,4X299,5	21
328	1	1383099915	TOOTHED RACK Z=8 M=2 L=365	27
329	1	2391203167	BEARING BUSH RD 20/25/30X15 MIT BUND	10
330	1	6721099553	FEATHER KEY A 3X3X18	10
332	1	7151100060	FRICTION BEARING B RD 10X12X4X1 B	12
333	1	6163087683	HEX. SOCKET SET SCREW, DOG PT. M 8X12 VE	10
334	1	1485111278	TWIST LOCK RD 50X16	29
335	1	141155790	Circlip	10
336	1	7100017924	DEEP GROOVE BALL BEARING 30X55X13 6006-2	25
337	1	6400009927	RETAINING RING FOR SHAFTS 30X1,5	10
338	1	1385400248	GUIDE TUBE 292 MM	53
339	1	7053122250	CUP SPRING 51,5X35,5X0,6	13
340	1	7100093418	DEEP GROOVE BALL BEARING 25X52X15 6205-2	24
341	1	1385610013	CUTTER SPINDLE RD 35X511	45
342	1	6721019738	FEATHER KEY A 6X6X36	10
343	1	1485099790	SPACING COLLAR RD 30X50X25	28
344	1	1485099782	SPACING COLLAR RD 30X50X16	27
345	1	1485099774	SPACING COLLAR RD 30X50X10	26
346	1	1485099766	SPACING COLLAR RD 30X50X8	26
347	1	1485099758	SPACING COLLAR RD 30X50X5	26
348	1	1485111316	SPINDLE NUT M 30X2 / SW 41X21,5	26
349	1	1385099530	SPINDLE, TRAPEZIUM THREAD RD 16X245	33
350	1	1480400352	GUIDE BAR RD 20X120	26
351	1	1381403145	CLAMP 54X18X13	13
352	1	6304001745	Serrated lock washer	10
353	1	141110320	Hexagon head screw	12
355	1	7240411576	POLY-RIB PULLEY 4J / RDA 133X93 RDI 20 P	39
356	1	6301000306	SPRING LOCK WASHER B 12 VERZ.	10
357	1	6200017992	HEXAGON NUT	10
358	1	6205032396	HEXAGON THIN NUT	10
359	1	1482119669	TOOTHED PLATE BL 4,0X245X263	40
362	1	7053099658	CUP SPRING 40,0X20,4X2,25 A40/GR1	14
363	1	141114860	Hexagon head screw	12
364	1	7006114223	RATCHET LOCK LEVER, MALE M 10X60	24
365	1	1385099130	BOLT RD 10h11X(65) /M8	21
366	1	141150050	Washer	10
367	2	141130130	Hexagonal nut	12
368	1	1381099276	SPINDLE NUT TR 16X4X29	15
370	1	6172001830	Fillister head screw	10
371	2	141150130	Washer	10

372	1	141110260	Hexagon head screw	10
373	1	1380400258	MOTOR MOUNT	42
374	1	6202024139	HEXAGON NUT, PREV. TORQUE TYPE	10
377	1	6121023081	Cap screw	10
378	1	6304084047	Serrated lock washer	10
380	1	7055100076	FLEXIBLE PRESSURE PIECE M16X33 K	24
381	1	1385099937	CLAMPING ROD, SPINDLE TILT RD 7X390 M 8	19
382	1	1392200688	CLAMPING LID BL 2,99X RD 35	13
383	1	6110000594	CUP SQUARE NECK SCREW	10
384	1	1482100445	CROSSHEAD PLATE BL 2,99X244,5X322	35
385	1	1014171963	MOTOR, SPINDLE MOULDE 2,80 RDNB TF 904	69
387	2	6202002305	HEXAGON NUT, PREV. TORQUE TYPE	10
388	1	7240411584	POLY-RIB PULLEY 4J / RDA 158X61 RDI 20 P	40
389	1	6103001267	Hex head screw	12
390	1	7233072502	POLY-RIB BELT 4 PJ 711	20
392	1	7151145307	GUIDE STRIP 2,5X9,5X223	20
393	1	7632146242	O-RING 75,57X5,33 90 SHORE	14
394	1	1381170540	WIPER RING 70X78X5	20
400	1	1380421190	MOULDING TABLE 600X650	68
401	1	1014635048	TABLE RINGS RD 65/115 ET	27
403	1	1382099695	REAR PANEL BL 2,50X470X638	44
404	1	7014111640	CLIP-IN-CLIP SERIE 600	12
405	1	7014111632	NEOPREN WASHER SERIE 600	10
406	1	1381108550	DOOR LID, REAR HOUSING PANEL 65X315X500	35
407	1	7014168286	PIN SERIE 600 MIT SCHLITZ	14
408	1	6621007910	BLIND RIVET, MUSHROOM HEAD 4X10 F FLACHR	10
409	1	1321712858	BOLT-ON HINGE 40X40	19
411	1	6121102640	HEXAGON SOCKET HEAD CAP SCREW	10
412	1	141150010	Washer	10
413	1	1142100173	ANGLE SCALE-SHAFT TILT 1,00X14X194 -10/+	22
414	1	1382412202	SIDE-PANEL BL 2,50X470X523 RECHTS+LINKS	42
416	1	1381100517	SELECTOR FORK	14
417	1	1382114791	FRONT PANEL BL 2,5X470X638	39
418	1	6503001665	CLAMPING SLEEVE 4X20	10
419	2	6172028215	Fillister head screw	10
420	1	1385412157	SWITCHING BOLT RD 10X115	19
421	1	8242033664	STRAIN RELIEF	10
422	1	6172001805	Fillister head screw w.fill. head screw	10
423	2	141130930	Hexagonal lock nut	10
425	1	7238100598	BOWDEN WIRE RD 1,5X750	26
426	1	1382412164	SPEED DISPLAY BL 1,5X62X126	13
429	1	6264166657	CAGE NUT	10

450	1	8133114700	SWITCH/POWER CABLE ASS'Y RDN N=5X1X3000M	58
451	1	1331408847	FAN COVER 120/13	14
452	1	1331408839	FAN WING 120/13 WELLEND. 16	13
453	1	1385609775	TAPER ADAPTOR RD 50X20	24
7000	1	1385609775	TAPER ADAPTOR RD 50X20	24

toolspareparts.com.au



	Litzenfarben	Colour of strands	Couleur des cordons
BK	schwarz	black	noir
WH	weiß	white	blanc
BU	blau	blue	bleu
YE	gelb	yellow	jaune
RD	rot	red	rouge
TR	transparent	transparent	transparent
BN	braun	brown	brun
GY	grau	grey	gris
GNYE	grün-gelb	green-yellow	vert-jaune
BKWH	schwarz-weiß	black-white	noir-blanc
GN	grün	green	vert
OG	orange	orange	orange
VT	violett	violet	violet
TQ	türkis	turquoise	turquoise

	Bedeutung der Kurzzeichen	Meaning of the symbols	Interprétation des symboles
B	Stecker	plug	fiche
C	Kondensator	condenser	condensateur
D	Funkentstördrossel	interference suppression inductance	inductance d'antiparasitage
E	Elektronik-Baustein	electronic unit	unité électronique
I	Induktionsspule	induction coil	bobine d'inductance
K	Klemme	terminal	borne
L	Licht	light	lumière
M	Motor	motor	moteur
O	Überlastschutz	overload cut-out	déclencheur de surintensité
R	Drehrichtungsumschalter	reversing switch	commutateur droite-gauche
S	Schalter	switch	interrupteur
U	Umschalter	change-over switch	commutateur
X	Elektronik-Element	electronic element	élément électronique